

# kITL Series

## Kiosk Ticket Printers

*Cost-Effective Solutions for On-Demand Kiosk Ticketing*



### Unattended Kiosk Ticketing Solutions – At A Price You Can Afford!

**The kITL Series** is an innovative line of direct thermal kiosk ticket printers. Features include a compact design that is ideal for limited kiosk space. The rugged construction and quality engineering increases the kiosk reliability and up time. All of this is brought to you at an unbelievably low price. The kITL, ideal for moderate volume ticketing applications, uses the same advanced **IT** technology as Practical Automation's high performance kITX Series printers.

The kITL incorporates an automatic cutter and comes in various widths and interfaces including USB and Ethernet. Additionally, the kITL is optimized to work with FGL applications on various operating systems (DOS, Unix, Linux, Windows®, etc.) Optionally, the kITL can be configured for Windows applications that emulate WYSIWYG, with performance at full speed. Either firmware can be configured at the factory or can be uploaded to the kITL in the field. The kITL Series also delivers extensive status information over the interface. This status provides the host system with information such as low ticket, out of tickets, ticket count, confirm ticket printed, error condition, etc.

And there's more! The kITL is the first ticket printer of its kind that features dual edge (left and right side) ticket sensors, enabling you to use your existing ticket stock for even more savings! **Bottom line, the kITL will save you money without any sacrifice in technology, construction or reliability.**

#### The kITL Specifications:

- 203 dpi printing
- Print speed up to 3.5 inches per second
- Ticket widths of 2 inches and 3.25 inches
- Large User Flash Memory Standard (512K)
- Modular Parallel, Serial RS232, USB or Ethernet data interface plug-ins
- Automatic cutter

#### The kITL Features:

- Designed for reliability and longevity but economically priced
- Low cost of ownership
- Modular, small footprint – reduces kiosk space requirements
- External Power Supply reducing mounting weight and allows flexible kiosk layout
- Dual edge (left and right side) ticket sensors
- Performance optimized for FGL and Windows environments
- Field programmable firmware upgrades
- Service friendly switch and LED display
- Printer status with unique electronic serial number
- Extensive remote monitoring capabilities



**PRACTICAL AUTOMATION, INC.**

The Alinabal Group of Companies

[www.practicalautomation.com](http://www.practicalautomation.com)

# kITL Series

## Kiosk Ticket Printers

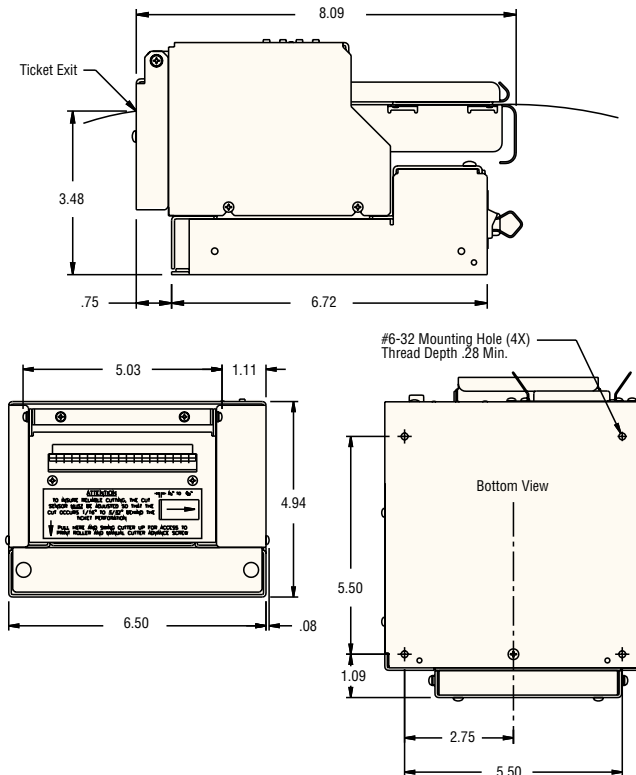
### Cost-Effective Solutions for On-Demand Kiosk Ticketing



#### Un-Attended Kiosk Ticketing Applications:

- **Advance Ticketing**
  - Theater/Cinemas
  - Sporting Events
  - University box office
  - General admission
  - Special events
- **Retail Ticketing**
  - Coupons
  - Vouchers
- **Transportation Ticketing**
  - Air, rail, ship, bus, etc.
  - Parking

#### Printer Module kITL Series



#### Designed For Easy Integration

The kITL Series is a modular ticket printing system designed for easy integration into a self service ticketing kiosk utilizing the latest technologies implemented in Practical Automation's IT platform. The kITL combines a thermal print mechanism, auto-cutter, and control electronics in a compact, lightweight package suitable for fixed base or slide mounting. Operating power is provided by an external, universal input voltage power supply module.

#### Ticket Printing vs. Roll Paper Printing

The defining characteristics of a kiosk ticket printer are its ability to use heavy ticket stock while printing at a fast speed. The kITL utilizes fanfold and perforated ticket stock ranging in thickness from .004 inches to .0075 inches. A typical 5.5-inch long ticket can be printed, cut and ejected in approximately 2 seconds. These characteristics contrast with conventional kiosk printers that are typically slower and designed to use thin paper packaged in rolls.

#### Choose Your Ticket Width

The kITL is offered in two versions to accommodate ticket widths of 2 inches and 3.25 inches. Ticket loading is automatic through the rear of the printer. Tickets can be neatly stored and stacked in an optional ticket storage assembly preventing ticket spillage. The straight through ticket path design provides for the highest handling reliability, thereby reducing the likelihood of ticket jamming. Additionally, a "low" ticket sensor is used to provide an indication when tickets are running low. Users can now anticipate a ticket outage by way of remote monitoring before it actually happens.

#### Easy To Program

The control electronics utilizes a user-friendly Standard Ticketing Programming Language (FGL). There are 12 resident fonts and 7 resident bar codes that can be expanded and rotated. PCX file-supported graphics and line and box drawing can be used to enhance the appearance of the printed ticket. Parallel, Serial, USB or Ethernet interface available.

Alternately, the kITL is also supported by an available Windows® WYSIWYG-compatible driver and firmware. This unique driver is designed to take advantage of the flexibility and easy programming features of Windows, including True Type fonts and graphics. The Windows driver supports both Parallel and USB interfaces.

Dual edge (left and right side) ticket sensors are a unique feature of all ITL printers. With the ability to read on either side, you can still use your existing supplies of preprinted ticket stock saving you hundreds of dollars!

## Specifications

# kITL Series

**Printing Method:** Direct thermal

**Printhead:**  
 Dot Density 203 DPI (8.0 dots/mm)  
 Dot Cycle Life 50 x 10<sup>6</sup> Dot Cycles (typical)  
 Abrasive Life 164 K ft (50 Km) (typical)  
 Operation Dot history controlled  
 Temperature Thermistor Controlled

**Print Speed:** 3.50 in/sec Max. (88.9 mm/sec)

**Standard Resident Fonts:** 5x7, 5x9 (OCRA), 8x16, 13x20 (OCR-B), 17x31 (OCRA), 17x31 (OCR-B), 18x30 (Courier), 20x40 (Courier), 25x41 (Bold Prestige), 25x49 (Script), 30x52 (OCR-B), 46x91 (Orator)

**Standard Resident Bar Codes:** Code 39, Interleaved 2 of 5, EAN 13, EAN 8, UPC, USS-CODABAR, Code 128 B and C with optional human readable interpretation line

**Standard Graphics:** Dot addressable graphics; box and line drawing commands; downloadable fonts and logos; PCX file support; PCX image rotation (0, 90, 180, 270 degrees) and multiplication

### Printer Firmware Options:

**Standard Firmware** The print characteristics (fonts, barcodes, etc.) noted on this data sheet refer to the standard firmware version. This firmware "emulates" the commonly used Ticket Programming Language. (e.g. FGL)

**Windows Firmware** The "G" version firmware is Windows® WYSIWYG Printer Drive Function. Printer firmware can be updated over the Data Interface.

**Print Width:** 2.0" (50.8 mm) max., 1.8" (45.7 mm) typ. kITL 2002  
 3.15" (80.0 mm) max., 3.05" (77.5 mm) typ. kITL 2003

**Print Length:** 10.1" (256.5 mm) max.

**Ticket Width:** 2.00" ±.016" (50.8 mm ± 0.41) kITL 2002  
 3.25" ±.016" (82.6 mm ± 0.41) kITL 2003

**Ticket Length:** 2.0" (50.8 mm) min., 10.1" (256.5 mm) max.

**Paper Type:** Thermal tag stock

**Paper Caliper:** 0.004"-0.0075" (0.1-0.19 mm) typical

**Paper Feed:** Friction

### Data Interface (Plug-in Interface Options Modules):

Parallel IEEE-1284 (bi-directional)  
 Serial RS-232 (Busy and XON/OFF) to 57.6 K baud  
 USB 2.0 Full Speed Compliant  
 Ethernet 10/100T Compatible

**Interface Cable:** IEEE-1284 A-B cable (DB25M/C36M)  
 RS-232 Cable (DB9M/DB9F)  
 USB A-B Cable (A/B)

**Special Purpose I/O:** 8 pin mini Din connector for low paper and auxiliary power driver

**Cutter:**  
 Life 3x10<sup>6</sup> cuts (min.)  
 Cut Cycle Time 300 ms max.

**Power Requirements:** 24 VDC, 60 W max average, provided by PS60-14 universal input power supply. 90-264 VAC, 47/63 Hz, 1.6 A max.

### Regulatory Compliance:

CE Mark Compliant  
 Safety ANSI/UL 60950, 3rd Edition  
 CAN/CSA C22.2 No. 60950-00  
 GENELEC EN 60950: 1992  
 CB SCHEME Compliant. Consult factory for countries listed.  
 EMI/EMC FCC Part 15 Class A  
 CENELEC EN 55024: 1998  
 EN 55022 Class B  
 Environmental RoHS Compliant

### Environment:

Temperature Operating: +5 to +40°C  
 Storage: -5 to +65°C  
 Humidity 20-85% relative, non-condensing

## When Choosing A Thermal Ticket Printer, Make A Practical And Smart Decision

Practical Automation is a premiere manufacturer of specialty and custom printers serving the global market for over 40 years. We only produce printers, enabling us to focus exclusively on the features and characteristics that ensure a quality product that will suit your specific needs and application.

- Proven reliability and longevity
- Low cost of ownership
- Customization to fit your application

### Practical Automation has a first-class support team that provides:

- Outstanding, easy-to-access service
- Unprecedented support
- Knowledgeable engineering assistance

**User Switches:** Power On/Off  
 Select (F0)  
 Test (F1)  
 Line Feed (F2)  
 Form Feed (F3)

**Indicators:** Power/Paper (green LED)  
 Ready (green LED)  
 Attention/Error (amber LED)  
 Audio Beeper

**Ticket Delivery:** Cutter

**Setup Parameters:** All optional control features can be changed with a user-friendly switch panel entry.

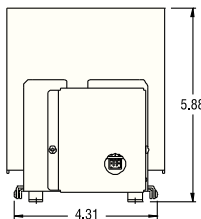
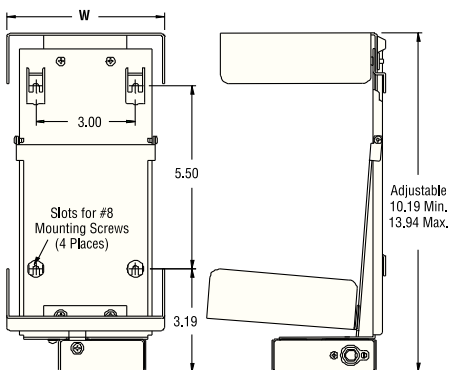
**Printer Status:** Printer status information such as low paper, out of paper, ticket count, unique electronic serial number and system errors are available to the host PC via IEEE-1284, USB or Serial RS-232 reverse channel communications.

**Download Memory:** 512 K Flash standard, expandable to 1.0 Megabyte (special order) for storage of user fonts and logos.

**Print Image Memory:** ½ Megabyte.

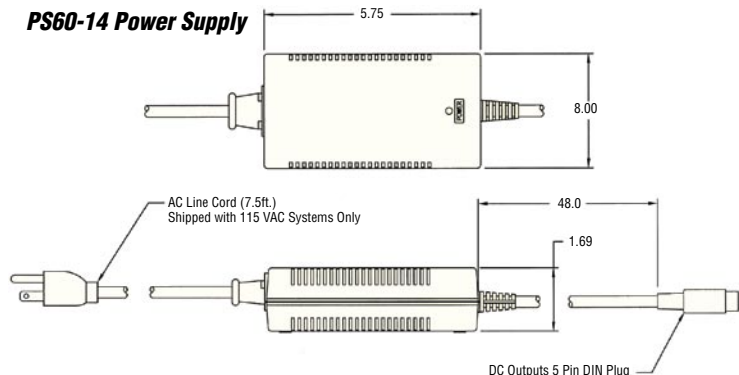
**Maintenance:** Modular design for easy component replacement

### Ticket Storage Assembly



Model Number	W Dimension
GTX-THLP-2	2.75"
GTX-THLP-4	4.75"

### PS60-14 Power Supply



All specifications subject to change without notice.

# kITL Series

## Ordering Information

The kITL Product Base Number includes printer with print mechanism and control electronics.

**kITL 200**  -  -

### Model

k = Kiosk Mountable Printer Series

### Ticket Width

2 = 2.00"  
3 = 3.25"

### Firmware

FGL = Emulates Standard Ticket Firmware  
G = Windows® (WYSIWYG) Compatible

### Data Interface

Parallel = IEEE-1284 Parallel Interface  
Serial = Serial RS232 Interface (Only supported with "Standard" Firmware)  
USB = USB 2.0 Full Speed Interface (Only supported with "G" Windows Firmware)  
Ethernet = Ethernet 10/100T Compatible



### Example: kITL 2003-G-Parallel

kITL = Kiosk Printer Model    G = Windows® (WYSIWYG) Compatible  
3 = 3.25" Ticket Width        Parallel = Parallel Interface

## Additional Accessories

### kITL Power Supply

**PS60-14**

#### Line Cord

Blank = With US approved line cord  
E = No line cord for export applications



### kITL Ticket Storage Assembly

**GTX-THLP**

#### Ticket Widths

2 = Holds up to 2.5" Width (Ticket and Container)  
4 = Holds up to 4.5" Width (Ticket and Container)  
Low paper sensor and 6' auxiliary cable included with either size;  
For ITL use, see ITL Max Ticket Widths;



### Accessories

Description	Model Number
Parallel (IEEE 1284) Interface Cable	ATX-PC36
Serial (9 pin) Interface Cable	ITX-SC09
USB 2.0 A-B Cable	CUSB-206
Kiosk Mounting Plate (2" & 3.25")	MP-2
Kiosk Mounting Rails (2) per set	MR-2X



**PRACTICAL AUTOMATION, INC.**

[www.practicalautomation.com](http://www.practicalautomation.com)

The Alinabal Group of Companies  
45 Woodmont Road, P.O. Box 3028, Milford, CT 06460 ■ Phone: (203) 882-5640 ■ FAX: (203) 882-5648

Printed in USA  
5M 3/06