

# Videojet® 6210

Thermal Transfer Overprinter

## Thermal Transfer.

Ink Jet.

Laser.

Labelers.

Track & Trace.

Supplies.

Parts & Service.

The Videojet® 6210 Thermal Transfer Overprinter offers a proven and cost-effective solution for users ready to migrate to a digital solution from a non-digital solution such as hot stamp or roller coders. The Videojet 6210 delivers maximum reliability and efficiency for marking variable, high resolution images on flexible packaging and labels — at an affordable price.

## Consistent, high quality print

- 300 dpi images on a wide variety of flexible packaging materials
- Well-suited for snack food, bakery, confectionery, frozen and refrigerated foods, bagged fresh vegetables and dried fruits markets

## Real-time variable data

- Internal clock function provides on-line printing of variable and real-time data
- Best by date, time, batch and lot codes, shift code and production line ID



## Long production runs

- Proven, highly reliable, clutchless ribbon drive
- Ribbon tension is consistently maintained, virtually eliminating ribbon-related downtime
- 600 meter ribbon length requires less frequent ribbon changes than hot stamp or other competitive TTO

## Simple to operate

- Intuitive, graphical user interface incorporates easy to learn icon based controls
- WYSIWYG image display reduces set up errors
- Color touch screen

## Low cost of ownership

- Bi-directional ribbon drive allows unused ribbon to be recaptured after each print
- Delivers more prints per roll and a low cost of ownership

**VIDEOJET®**  
Uptime Peace of Mind®



### Printhead

32 mm, 300 dpi (12 dots / mm)

### Print Area

32 mm x 30 mm (1.3" x 1.2")

### Printing Modes

Continuous & Intermittent modes in the same machine

### Print Speed

Intermittent: 50 mm/sec. to 200 mm/sec. (2.0"/sec to 7.9"/sec)  
Continuous: 40 mm/sec. to 500 mm/sec. (1.6"/sec to 19.7"/sec)

### Operator Interface

5.7" Color QVGA CSTN (240 x 320 pixels) LCD and touch screen  
WYSIWYG print preview  
On-board diagnostics  
3 levels of password protection  
Multiple language support

### Ribbon Drive

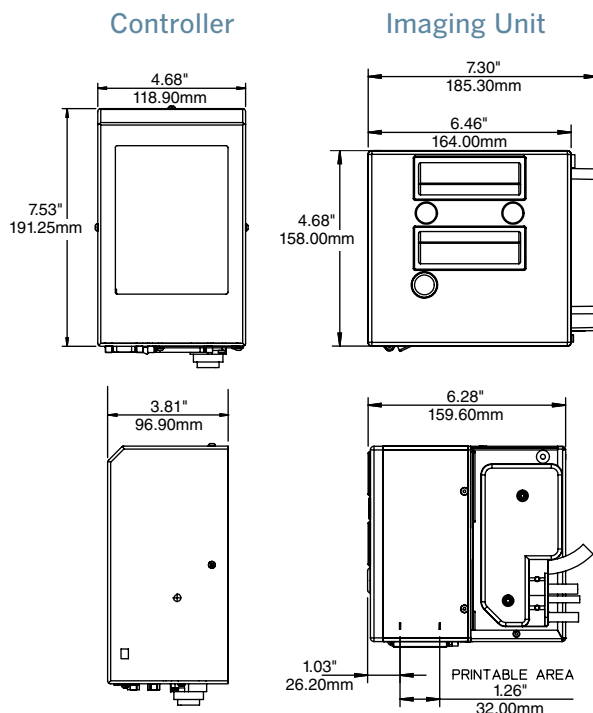
Solid-state, clutchless bi-directional ribbon drive, including

- Ribbon break detection
- End of reel detection
- Ribbon consumption indication
- Ribbon Save mode: Interleave (50% saving of ribbon)

### Printing Capabilities

Full downloadable font support using Windows® TrueType® fonts  
Fixed and variable text and numeric data  
User entered text and numeric data (including Chinese)  
Flexible date / time formats (based on internal real time clock)  
Auto best before date calculations  
Flexible shift code formats

## Dimensions



### Ribbon Length

600 meters (656 yds.) available in variety of grades and colors

### Ribbon Widths

22 mm and 33 mm (0.9" and 1.3")

### Image Design Management

Created using CLARISOFT for VJ6210  
Stored locally in printer's internal memory (128MB capacity)  
Loaded via USB memory stick or RS232

### Remote Coder Configuration Software

Clarity Configuration Manager (included)

### External Communications

USB memory stick, RS232 (binary communications only)

### External Inputs

Print Go  
Inhibit Print  
Quadrature encoder (single phase not supported)

### External Outputs

Fault  
Warning  
Busy  
Printing

### Air Supply

4-6 Bar, locally regulated

### Power Supply

90-240 VAC 50/60Hz

### Operating Temperature

5°- 40° C (41°-104°F)

CERTIFIED  
ISO 9001  
DOCUMENTED QUALITY



800-843-3610

[www.videojet.com](http://www.videojet.com) / [info@videojet.com](mailto:info@videojet.com)

Videojet Technologies Inc. / 1500 Mittel Blvd.  
Wood Dale IL 60191-1073 / USA

Phone 630-860-7300 Fax 630-616-3623

